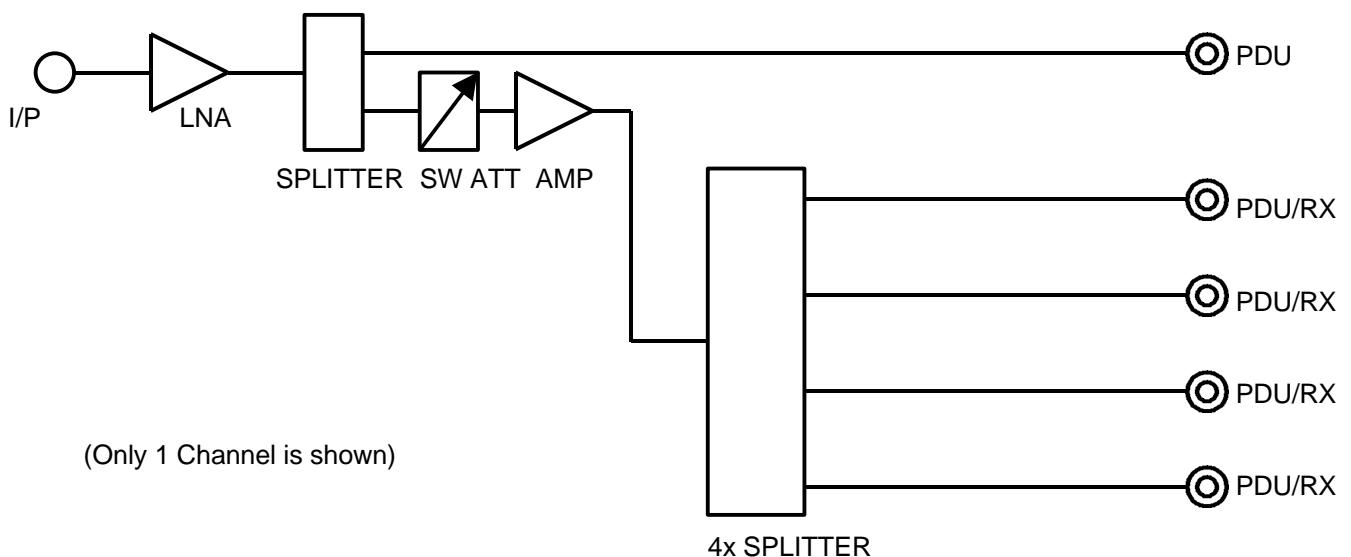


# TRANTEC SYSTEMS

## S5000 Antenna Distribution Unit (ADU) – Series 2

### Technical Description

The S5000 ADU is a dual channel RF distribution unit with a pair of direct high gain outputs for connection to a passive distribution unit and a set of 4 buffered outputs which can either be linked directly to receivers or used to connect to more passive distribution units. This arrangement is shown in the block diagram below:



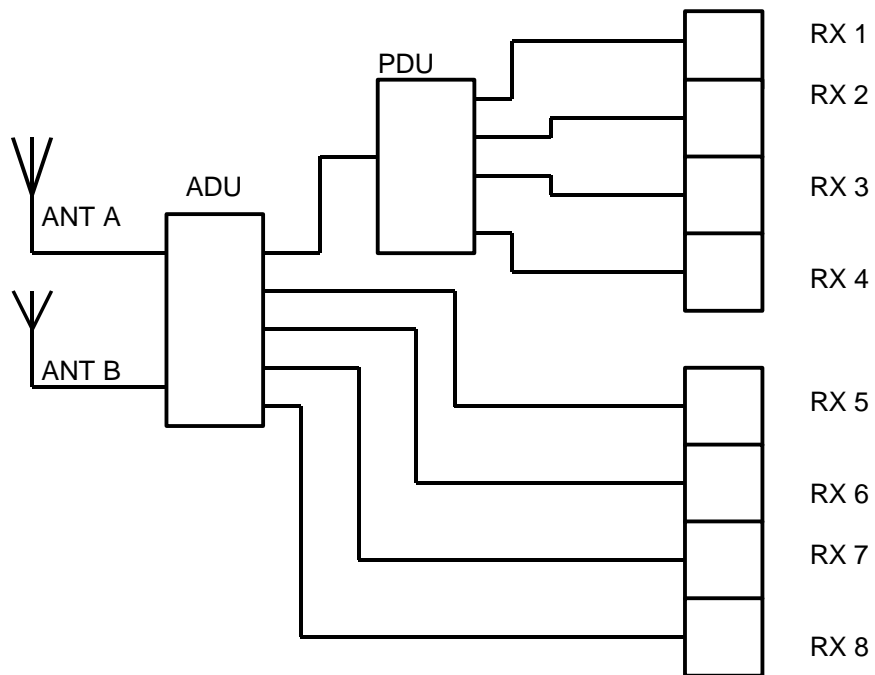
On the rear panel is a switch for choosing the mode of operation. With it in the +3dB position the four RX outputs are configured to drive receivers and the PDU sockets a passive distribution unit, allowing four receivers to share the antennae. Adding a passive ADU connected to the PDU ports allows four more receivers to share the antennae making a total of eight.

Further expansion is possible by placing the switch in the +10dB position, the four RX ports become PDU ports enabling connection of up to five PDUs. Each of these has the capability to drive four receivers making it possible for the antennae to be shared by up to twenty receivers. Using this arrangement, with between 2 and 5 PDUs, the S5000 ADU becomes an extremely versatile building block allowing structured expansion of a racked system from four to twenty receivers in easy economical steps.

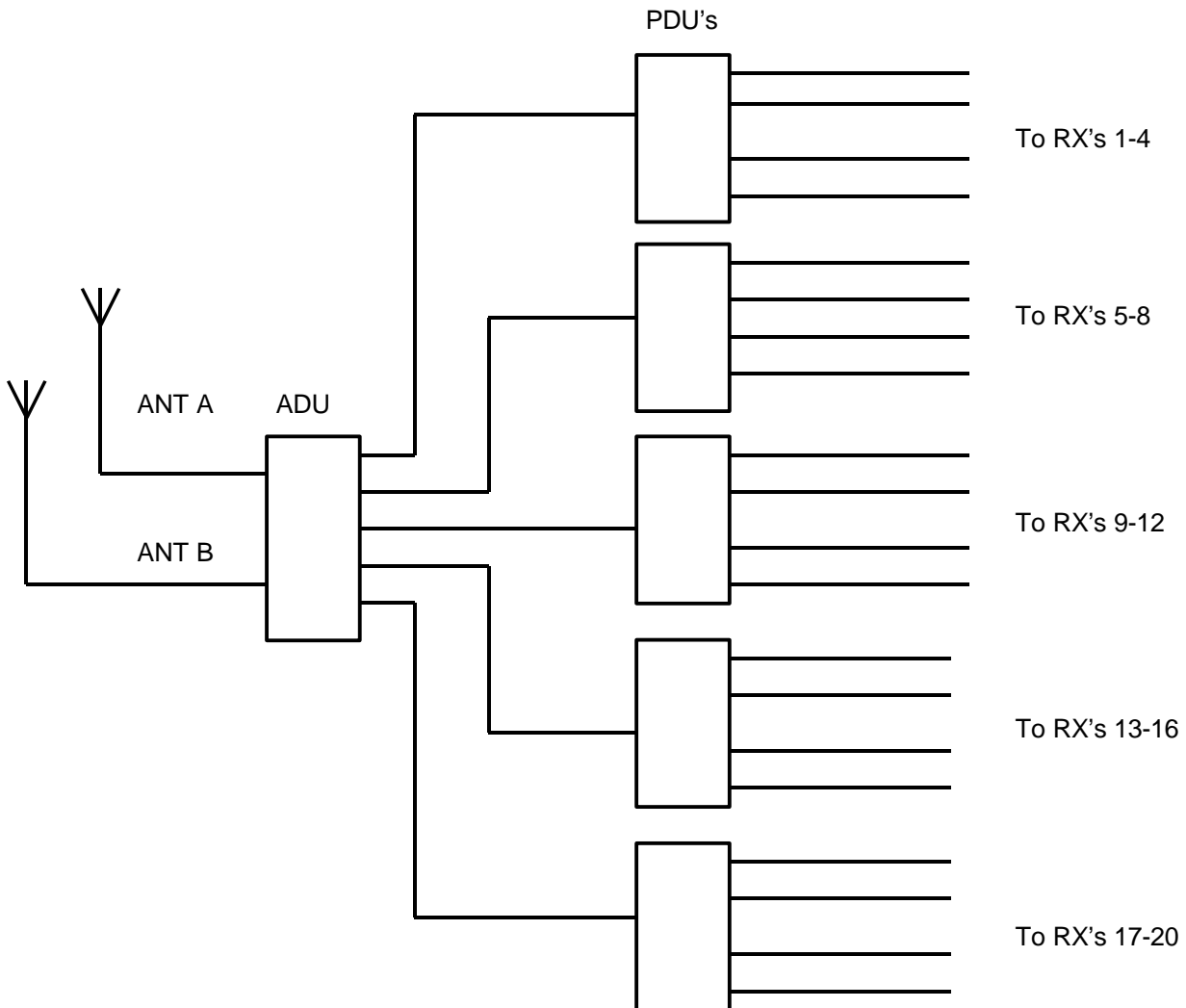
The inputs use N type connectors and have 12V DC 100mA phantom power capability for powering antenna boosters or active antennae. The status of each phantom power feed is indicated by two front panel green LEDs. The outputs are on SMC connectors and the power supply is 240V AC (or optionally 110V) via an IEC socket.

## Typical Connection of S5000 ADU & PDU Systems

### 1. +3dB switch configuration



2. +10 switch configuration.



**Abbreviations**

ADU	Antenna Distribution Unit
PDU	Passive Distribution Unit
LNA	Low Noise Amplifier
SW ATT	Switchable Attenuator
AMP	Amplifier