

# S6 – 8 channels of futureproof wireless

S6

The S6 system builds on the success of the S6000 product and now incorporates a comprehensive user interface on the front panel allowing the user to configure and monitor all the channels with or without an external PC. The rack mounted S6 receiver comprises eight

receiver modules, internal antenna distribution, headphone monitor, comprehensive user interface and USB connectivity.

In standalone mode the user can view RF levels, AF levels and battery status; and modify user names, frequencies, and mute levels.

The S6000 Handheld radio microphone has been specifically designed and engineered for audio industry professionals.

People who demand the high levels of flexibility that will meet the needs of today's challenging market place.

The S6000 beltpack is the choice of professional users throughout the industry; it is small on size and big on features.

Slightly larger, but still sharing the features of the S6000LTX, the S6LTX is the more affordable choice of beltpack transmitter.

## S6 Receiver



### Features

- Under PC control the system can be monitored remotely giving additional functionality of RF walk tests, and RF spectral analysis.
- Up to 5 racks can be controlled and monitored on a single screen of a local PC using USB, and also from anywhere over an Ethernet network.
- System supplied with S6 beltpack, but also fully compatible with existing S6000 beltpack and handheld transmitters.
- Channel 38 Ready
- Professional "Turnkey" solution
- 80 MHz switching bandwidth
- Rugged 2U 19" rack with integrated power supply
- User configurable to have 10 banks of up to 40 IM free frequencies
- Remote PC Data monitoring
- Intuitive jog wheel user interface
- Bright Vacuum fluorescent display
- Infrared Transmitter configuration
- Transmitter has LCD for frequency, gain and battery life indication
- Transmitter lock out facility to prevent inadvertent power down, gain or frequency adjust.
- Transformer-balanced audio output
- Antenna loop output

### S6 software screen examples



## Transmitters

### S6000 DTX

S6000 DTX Dynamic Capsule  
S6000 CTX Condenser Capsule

- Capsules interchangeable with other manufacturer's capsules
- Battery Life: 10hrs typical, single AA cell
- I/R Programmable with up to 40 frequencies
- LCD for frequency, gain and battery life
- Antenna Type: Integral
- Enclosure: Full metal construction



### S6000 LTX

- Battery Life: 10hrs typical, single AA cell.
- Small package
- I/R Programmable with up to 40 frequencies
- LCD for frequency, gain and battery life
- Choice of popular connector variants
- Enclosure: Full metal construction



### S6 LTX

- Battery Life: 10hrs typical, single AA cell.
- I/R Programmable with up to 40 frequencies
- LCD for frequency, gain and battery life
- Enclosure: Full metal construction



## Leather Beltpack Pouches

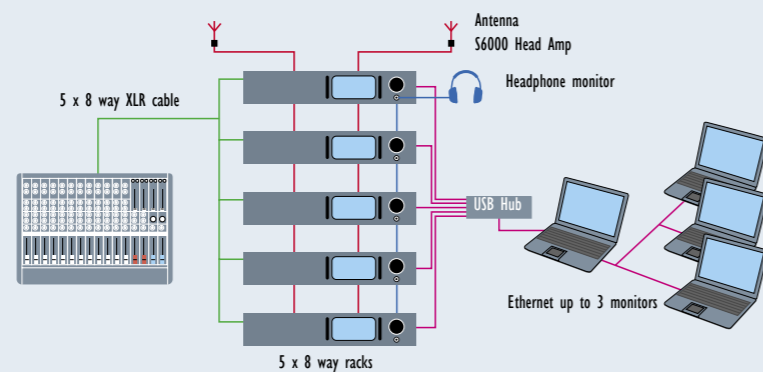


**ACC/6K-POUCH**  
Fits S6000 beltpacks. Added protection for your beltpack with this long-lasting protective leather pouch.



**ACC/SS-POUCH**  
Fits S5 and S6 beltpacks. Added protection for your beltpack with this long-lasting protective leather pouch.

## S6 40Way System



We recommend up to 3 x daisy chained RF racks. 5 x RF racks can be connected with passive split. Please contact Trantec for details.

### S6 SYSTEM

Frequency Range: 606-686, 662-734, 734-806 & 798-865MHz  
UK TV Channel range: Ch 38-48, Ch 45-53, Ch 54-62, Ch 62-70  
Frequency Arrangement: 25kHz grid  
AF Frequency Response: 50Hz-20kHz

### S6 RECEIVER

AF Output: +13dBu via transformer balanced XLR  
Headphone output: 500mW 8 Ohms  
Data monitoring: USB  
Operating Voltage: 90-132V AC or 180-264V AC

### S6000DTX, S6000CTX

RF output power: 10mW/30mW switchable  
Gain control: 10-position gain control  
Capsule type: High quality directional Dynamic or Condenser capsule. (User interchangeable)

### S6000LTX

RF output power: 10mW/ 30mW switchable  
Audio Input range: -20dBm - +7dBm  
AF connector: 3 pin / 4 pin Lemo (optional)  
RF connector: Co-axial Lemo

### S6LTX

RF output power: +13 dBm  
Audio Input range: -20dBm to +7dBm  
Microphone Bias Voltage: > 5V  
AF connector: 3 pin Lemo  
RF connector: Co-axial Lemo